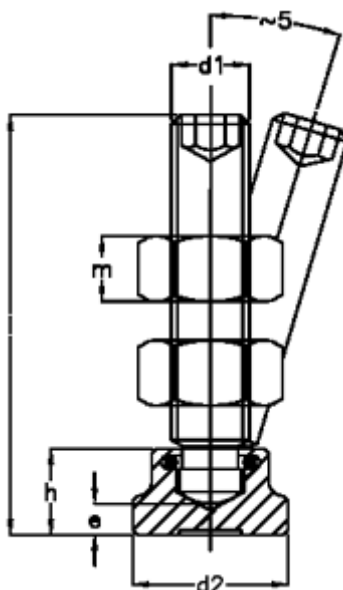


Article number: 20940628

Description: E+G Clamping bolt  
GN 802-M6-42

## Measures

---



$d_1 = M6$

$d_2 = 12$

$e = 2,2$

$h = 7$

$l_1 = 42$

$m = 5.2$